

4

3

2

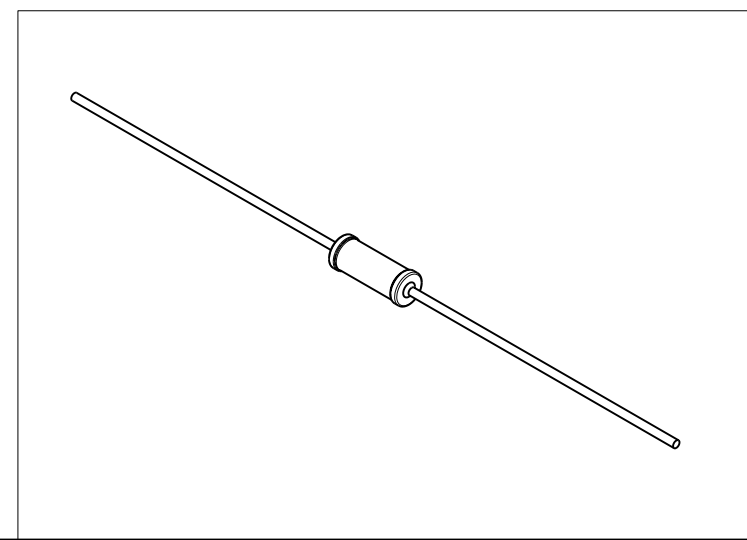
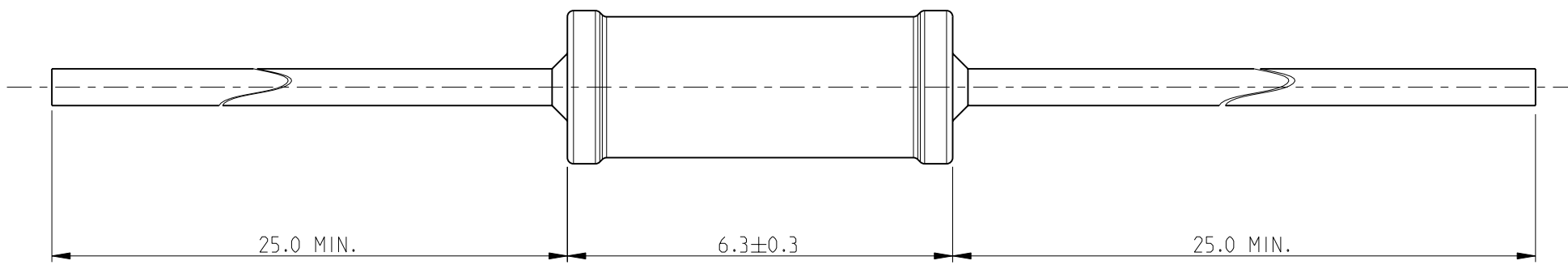
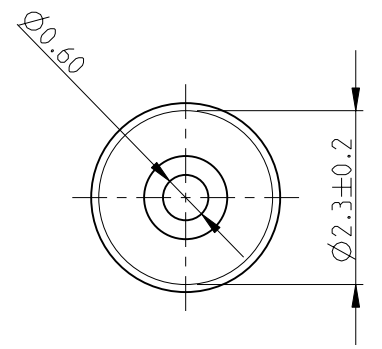
1

THIS DRAWING IS UNPUBLISHED. RELEASED FOR PUBLICATION 2008

© COPYRIGHT 2008 BY TYCO ELECTRONICS CORPORATION. ALL RIGHTS RESERVED.

LOC	DIST	REVISIONS			
P	LTR	DESCRIPTION	DATE	DWN	APVD
E	B	BA	NEW RELEASE	14SEP2010	PT St.P

FOR FURTHER INFORMATION SEE DATA SHEET FOR SERIES R - PRECISION METAL FILM FIXED RESISTORS



<small>THIS DRAWING IS A CONTROLLED DOCUMENT FOR TYCO ELECTRONICS CORPORATION IT IS SUBJECT TO CHANGE AND THE CONTROLLING ENGINEERING ORGANIZATION SHOULD BE CONTACTED FOR THE LATEST REVISION.</small>		DWN 14SEP2010 PARUSURAM.T	Tyco Electronics Corporation Dorcan, Swindon, SN3 5HH	
DIMENSIONS: mm		CHK 14SEP2010 ALLAN.P	NAME PRECISION METAL FILM FIXED RESISTORS SERIES YR1	
		APVD 14SEP2010 STEPHEN.P		
TOLERANCES UNLESS OTHERWISE SPECIFIED: 0 PLC ±0.2 1 PLC ±0.1 2 PLC ±- 3 PLC ±- 4 PLC ±- ANGLES ±5°		PRODUCT SPEC -	SIZE A3 CAGE CODE 00779 DRAWING NO C=1676915	RESTRICTED TO -
MATERIAL -		FINISH -	APPLICATION SPEC -	WEIGHT -
CUSTOMER DRAWING			SCALE 10:1	SHEET 1 OF 1 REV BA