

CKCM25X8R1H222M060AL

TDK Item Description : CKCM25X8R1H222MT***S

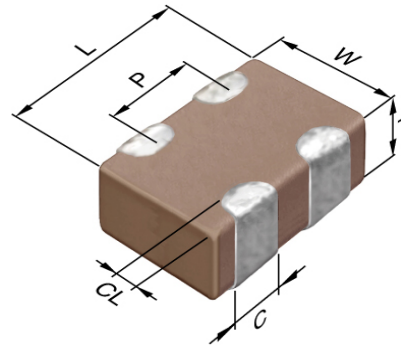


Application & Main Feature

Automotive Grade (2 in 1 Array)

Series

CKCM25



Dimensions

L 1.37mm +/-0.15mm
 W 1.00mm +/-0.15mm
 T 0.60mm +/-0.1mm
 C 0.36mm Nom.
 P 0.64mm Nom.

Temperature Characteristic

X8R (-55 to 150 degC +/-15%)

Rated Voltage

1H (50Vdc)

Capacitance

2.2nF

Capacitance Tolerance

M (+/-20%)

Dissipation Factor

3% Max.

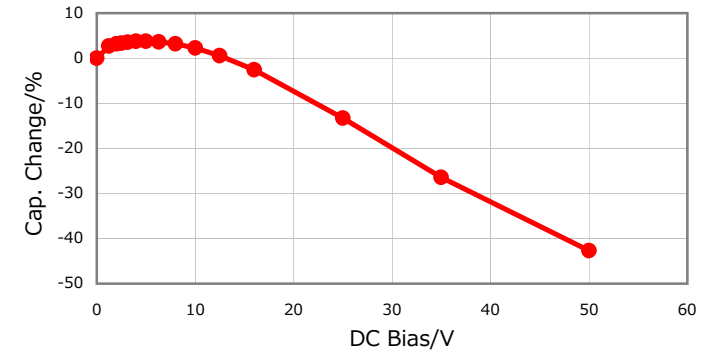
Insulation Resistance

10Gohm Min.

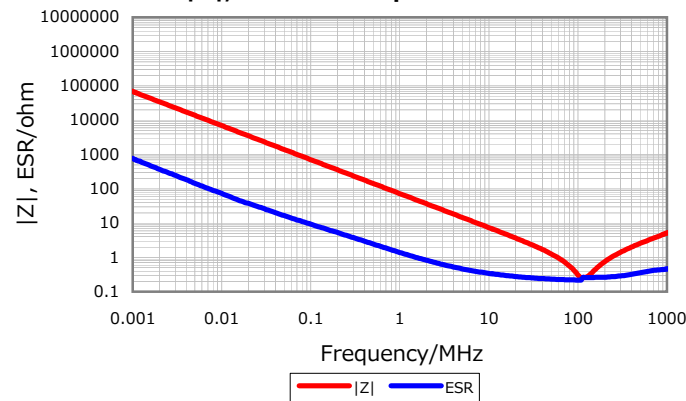
AEC-Q200

Yes

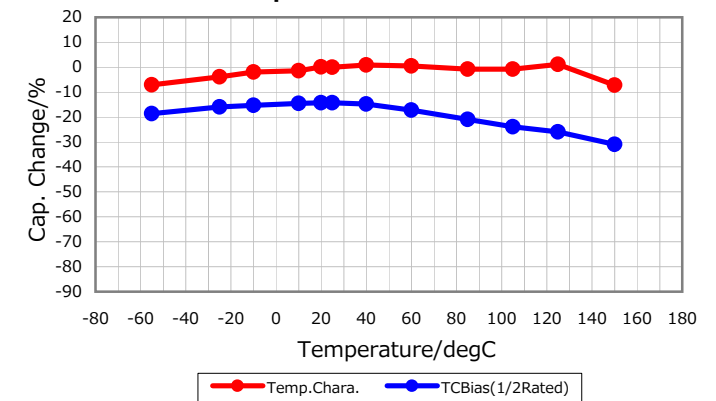
DC Bias Characteristic



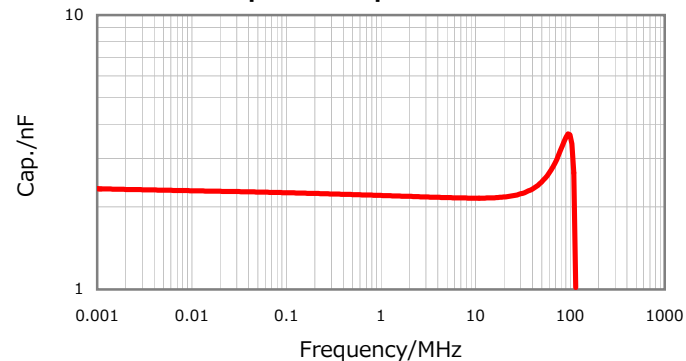
|Z|, ESR vs. Freq. Characteristics



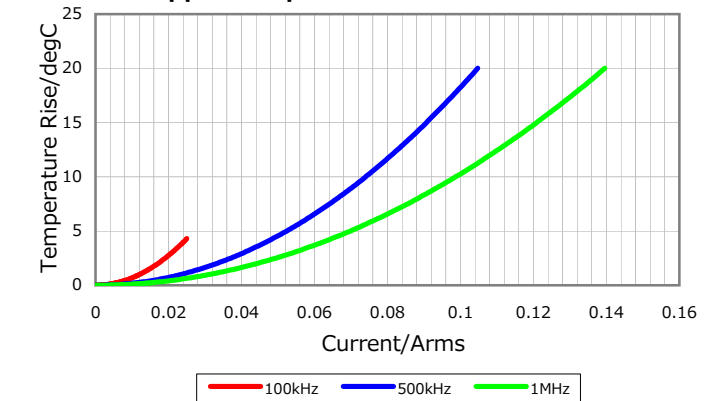
Temperature Characteristics



Cap. vs. Freq. Characteristic



Ripple Temperature Rise Characteristics



Characterization Sheet (Multilayer Ceramic Chip Capacitors)



All specifications are subject to change without notice.

January 4, 2016