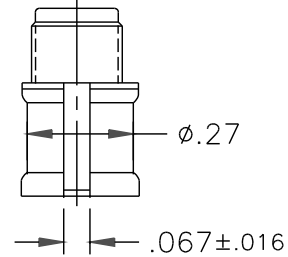
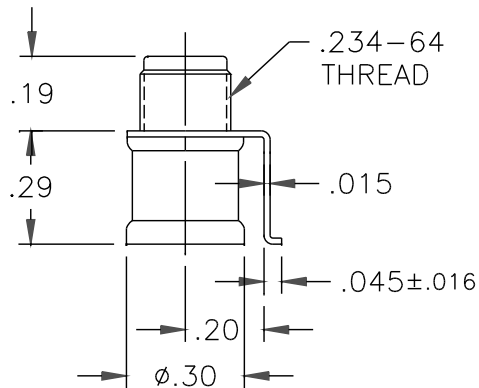
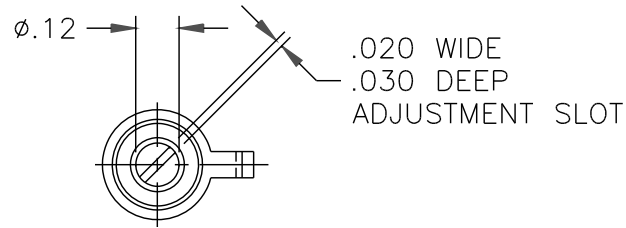


| DATE | SYM | REVISION | RECORD | AUTH | DR | CK |
|------|-----|----------|--------|------|----|----|
|      |     |          |        |      |    |    |
|      |     |          |        |      |    |    |
|      |     |          |        |      |    |    |
|      |     |          |        |      |    |    |



NOTES:

1. CAPACITANCE RANGE, pF: 1.0 TO 16.0
2. DC WORKING VOLTAGE AT 10.0 pF: 1000 VDC.
3. DC WITHSTANDING VOLTAGE AT 16.0 pF: 2000 VDC.
4. Q FACTOR AT 100 MHz AND 16.0 pF: 2000 MIN
5. INSULATION RESISTANCE:  $10^6$  MEGOHMS AT 25°C
6. TEMPERATURE COEFFICIENT:  $50 \pm 50$  PPM/°C.
7. OPERATING TEMPERATURE: -65°C TO +125°C
8. TUNING TORQUE: 0.5 TO 5.0 IN-OZ
9. ROTATIONAL LIFE: 600 TURNS
10. VIBRATION: 50g AT 10-2000 Hz
11. SHOCK: 1500g, 0.5 MILLISECS.
12. SEAL: 40 PSI

|                                  |  |                           |  |
|----------------------------------|--|---------------------------|--|
| TOLERANCES<br>(EXCEPT AS NOTED)  | VOLTRONICS CORPORATION<br>100 FORD RD. DENVER N.J. |                           |  |
| DECIMAL<br>XXX ±.005<br>XX ±.016 | SCALE<br>2 : 1                                     | DRAWN BY<br>A.SHTABNAYA   |  |
| FRACTIONAL<br>-                  | TITLE<br>OUTLINE DWG. AM15HV                       | APPROVED BY<br>A.GOLDBERG |  |
| ANGULAR<br>-                     | DATE<br>12/07/09                                   | DRAWING NUMBER<br>70,779  |  |