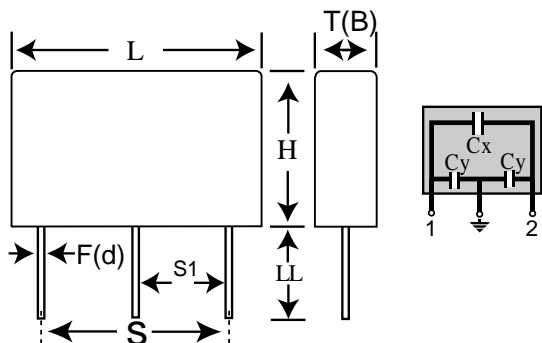


KEMET Part Number: PZB300MC23R30
(P300PL154M275AC472)

Capacitor, Film, Metallized Paper, 0.15 uF, +/-20% Tol, -40/+100C, Delta EMI (X2+Y2+Y2), Lead Spacing=20 mm



Note: '()' correspond to the letters used in the product bulletin

Dimensions (mm)

| Symbol | Dimension | Tolerance |
|--------|-----------|-----------|
| L | 24 | MAX |
| H | 16 | MAX |
| T | 12.5 | MAX |
| S | 20 | +/-0.5 |
| S1 | 10 | NOM |
| LL | 30 | +5 |
| F | 0.8 | +/-0.05 |

Packaging Specifications

| | |
|-------------------|------|
| Package Kind: | Bulk |
| Package Quantity: | 150 |

General Information

| | |
|--------------|----------------------|
| Supplier: | KEMET |
| Dielectric: | Metallized Paper |
| Application: | Delta EMI (X2+Y2+Y2) |
| Style: | Radial Molded |
| Lead Form: | 3 Lead |
| Features: | Pulse |
| Approvals: | ENEC,UL,cUL |
| RoHS: | Yes |

Specifications

| | |
|-----------------------------|-------------------------|
| Capacitance: | 0.15 uF |
| Tolerance: | +/-20% |
| Voltage AC: | 275 VAC |
| Rated Temperature: | 100C |
| Temperature Range: | -40/+100C |
| Dissipation Factor @ 1 kHz: | 1.3% |
| Insulation Resistance: | 12 GOhm |
| Maximum dVdT: | 600 v/us |
| Miscellaneous: | y2_cap_value= 0.0047 uF |