

High Frequency Ceramic Solutions

312-434 MHz Low Pass Filter. Lighting, Remote Control, Smart Home, Automotive Key Fobs, Location Services, AMR

P/N: 0400LP15A0122

Detail Specification: 5/26/2016

Page 1 of 3

AEC-Q200 available

General Specifications

Frequency (MHz)	312 - 434	Recommended Storage Conditions (unused product on T&R)	+5 ~ +35 °C, Humidity 45~75%RH
Insertion Loss (dB)	0.9 Typ. (1.3 max)		
Return Loss (dB)	15 Typ. (9.5 min)	Operating Temperature	-40 to +85°C
Attenuation @ 624-630MHz (dB)	28 Typ. (20 Min.)	Storage Temperature	-40 to +85°C
Attenuation @ 800-900MHz (dB)	30 Typ. (25 Min.)	Power Capacity	2W max. (CW)
Attenuation @ 900-950MHz (dB)	35 Typ. (30 Min.)		
Attenuation @ 1575MHz (dB)	38 Typ. (35 Min.)		
Attenuation @ 1700-2100MHz (dB)	34 Typ. (28 Min.)		
Attenuation @ 2195-2205 (dB)	38 Typ. (35 Min.)		
Attenuation @ 2400-2600 (dB)	30 Typ. (25 Min.)		



Do you need us to review your layout for free or may be looking for a small SMD antenna ? Contact us at: www.johansontechnology.com/ask-a-question

Mechanical Dimensions

	In	mm
L	0.079 ± 0.004	2.00 ± 0.10
W	0.049 ± 0.004	1.25 ± 0.10
T	0.037 ± 0.004	0.95 ± 0.10
a	0.012 ± 0.004	0.30 ± 0.10
b	0.008 +.004/-0.006	0.20 +0.1/-0.15
c	0.012 ± 0.004	0.30 ± 0.10
g	0.014 ± 0.004	0.35 ± 0.10
p	0.026 ± 0.002	0.65 ± 0.05

Terminal Configuration

No.	Function
1	GND
2	NC
3	GND
4	I/O
5	GND
6	NC
7	GND
8	I/O

Mounting Considerations

Solder Resist
 Land
 RF GND Vias Through-hole (ø0.3)

*Trace must be designed to a 50Ω characteristic impedance based on PCB material and thickness. Grounded CPWG style trace recommended.

Want the layout file or need us to revise your layout to make sure is correct? Send us a message at: www.johansontechnology.com/ask-a-question

Johanson Technology, Inc. reserves the right to make design changes without notice.
All sales are subject to Johanson Technology, Inc. terms and conditions.



www.johansontechnology.com
4001 Calle Tecate • Camarillo, CA 93012 • TEL 805.389.1166 FAX 805.389.1821
Ver. 1.0 2016 Johanson Technology, Inc. All Rights Reserved

High Frequency Ceramic Solutions

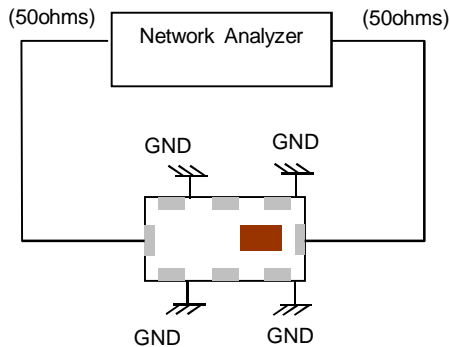
312-434 MHz Low Pass Filter. Lighting, Remote Control, Smart Home, Automotive Key Fobs, Location Services, AMR

P/N: 0400LP15A0122

Detail Specification: 5/26/2016

Page 2 of 3

Measuring Diagram

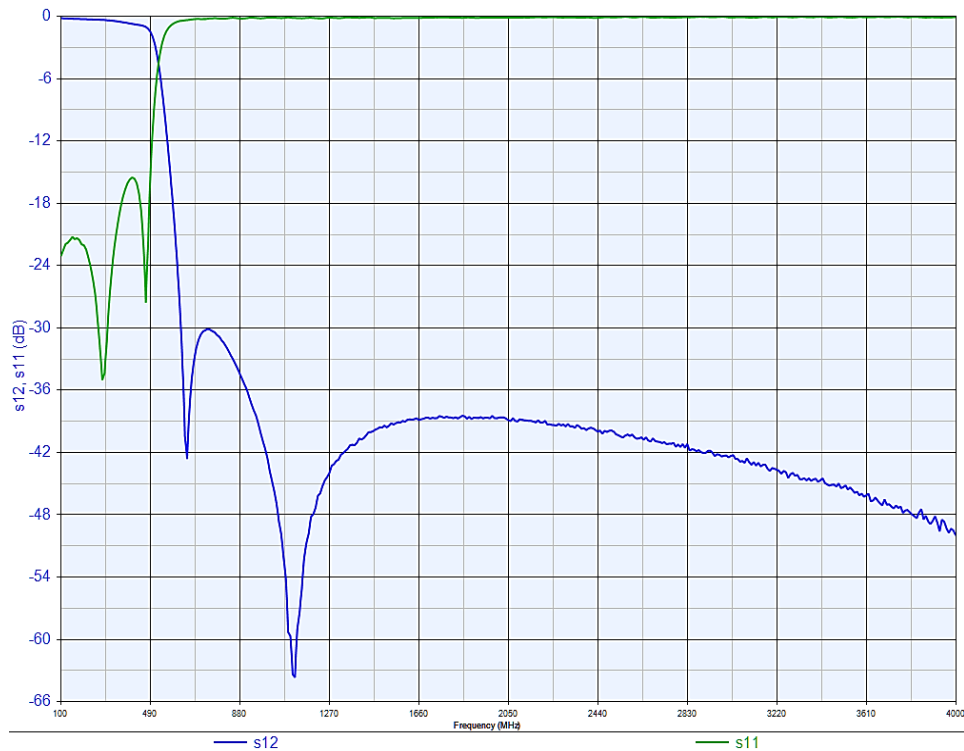


Click here Order the SMA-ready Evaluation Board p/n 900LP15B0063-EB1SMA:
www.johansontechnology.com/request-a-

Want the layout file of this? Send us a message at:
www.johansontechnology.com/ask-a-question

Let us help with your filter (or Johanson antenna) layout for best performance and send us a message by clicking on the link above

Typical Electrical Performance (T=25°C)



Johanson Technology, Inc. reserves the right to make design changes without notice.

All sales are subject to Johanson Technology, Inc. terms and conditions.



www.johansontechnology.com

4001 Calle Tecate • Camarillo, CA 93012 • TEL 805.389.1166 FAX 805.389.1821

Ver. 1.0

2016 Johanson Technology, Inc. All Rights Reserved

High Frequency Ceramic Solutions

312-434 MHz Low Pass Filter. Lighting, Remote Control, Smart Home, Automotive Key Fobs, Location Services, AMR **P/N: 0400LP15A0122**

Detail Specification: 5/26/2016

Page 3 of 3

Part Number Explanation

P/N Suffix	Packing Style	Bulk	Suffix = S	0400LP15A0122
		T & R	Suffix = T	0400LP15A0122E (Reel Size: 4000pcs)
50Ω SMA Connector Eval Board		0400LP15A0122-EB1SMA (orderable p/n)		

Packaging information

www.johansontechnology.com/tape-reel-packaging

Soldering Information

www.johansontechnology.com/typical-soldering-profile.html

RoHS Compliance

www.johansontechnology.com/rohs-compliance

MSL Info

www.johansontechnology.com/msl-rating

To Download Measured S-parameters for Evaluation and Simulation:

www.johansontechnology.com/low-pass-filters

For layout review contact our Applications Team at:

www.johansontechnology.com/ask-a-question

Mini SMD Chip Antennas at:

www.johansontechnology.com/antennas

Johanson Technology, Inc. reserves the right to make design changes without notice.

All sales are subject to Johanson Technology, Inc. terms and conditions.



www.johansontechnology.com

4001 Calle Tecate • Camarillo, CA 93012 • TEL 805.389.1166 FAX 805.389.1821

Ver. 1.0

2016 Johanson Technology, Inc. All Rights Reserved