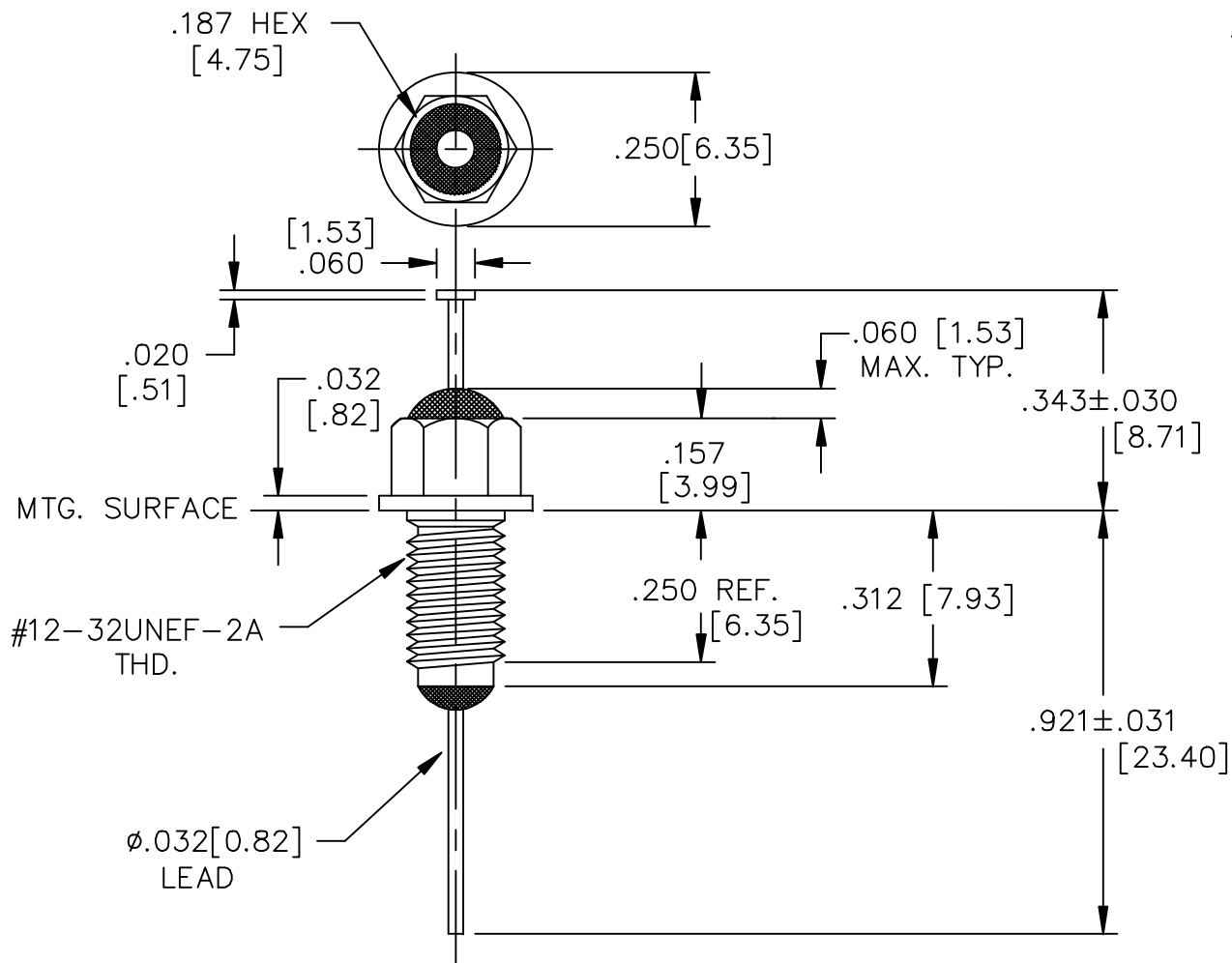
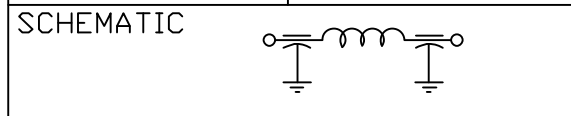


NOTES:
1. HARDWARE IS INCLUDED.



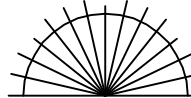
LEAD FINISH: SILVER	
BUSHING FINISH: SILVER	
CAPACITANCE	5500pF MIN
TEMP. RANGE	-55°C TO 125°C
CURRENT	10 AMP MAX.
WORKING VOLTAGE	125°C --VAC MAX. 125°C 200VDC MAX.
D.C. RESISTANCE	.01ohms MAX.
MIN. I.L. PER MIL-STD-220 AT 25°C NO LOAD	

FREQ. MHz	I.L. (db)
10	14
30	35
100	60
300	70
1 GHz	70



MARKING:
PART: S 714-002
BAG:
51-714-002
DATE CODE
QTY./BAG (100 MAX.)

	50	49	REV. NO.	TOLERANCES UNLESS OTHERWISE SPECIFIED
	CN 197528	CN 184962	CHANGE NOTICE	Fractions $\pm 1/64$
		REDRAWN		Dec. $.xx \pm$
				Dec. $.xxx \pm .010$
				Angles $\pm 0^\circ 30'$
				CODE IDENT. NO. QLSP2


 SPECTRUM CONTROL INC.
 ERIE, FAIRVIEW PENNSYLVANIA

Dwn. KAUFFMAN	Description Pi
Ckd. 7-7-98	RESIN SEAL FILTER
Apvd.	51-714-002
Scale NONE	